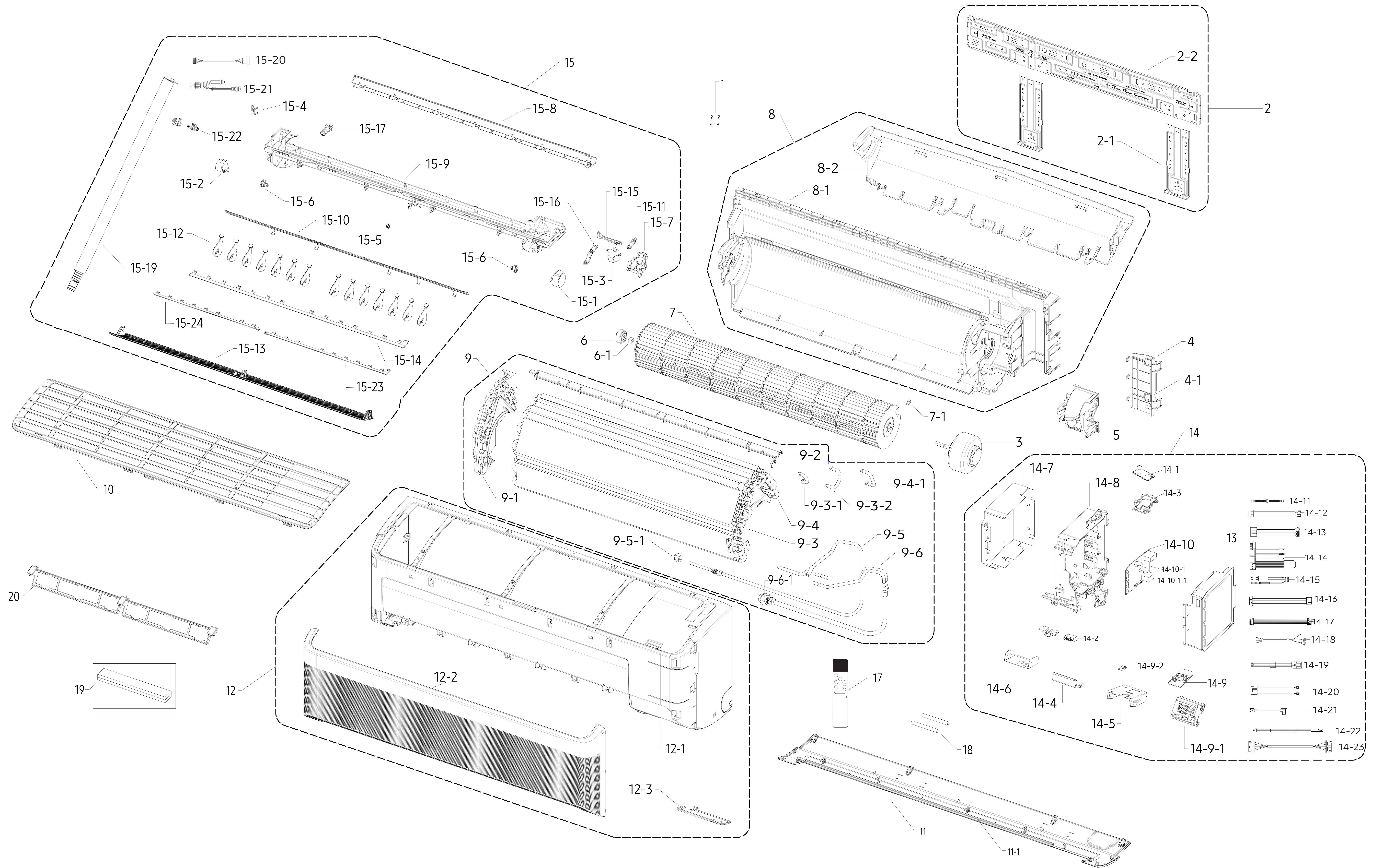
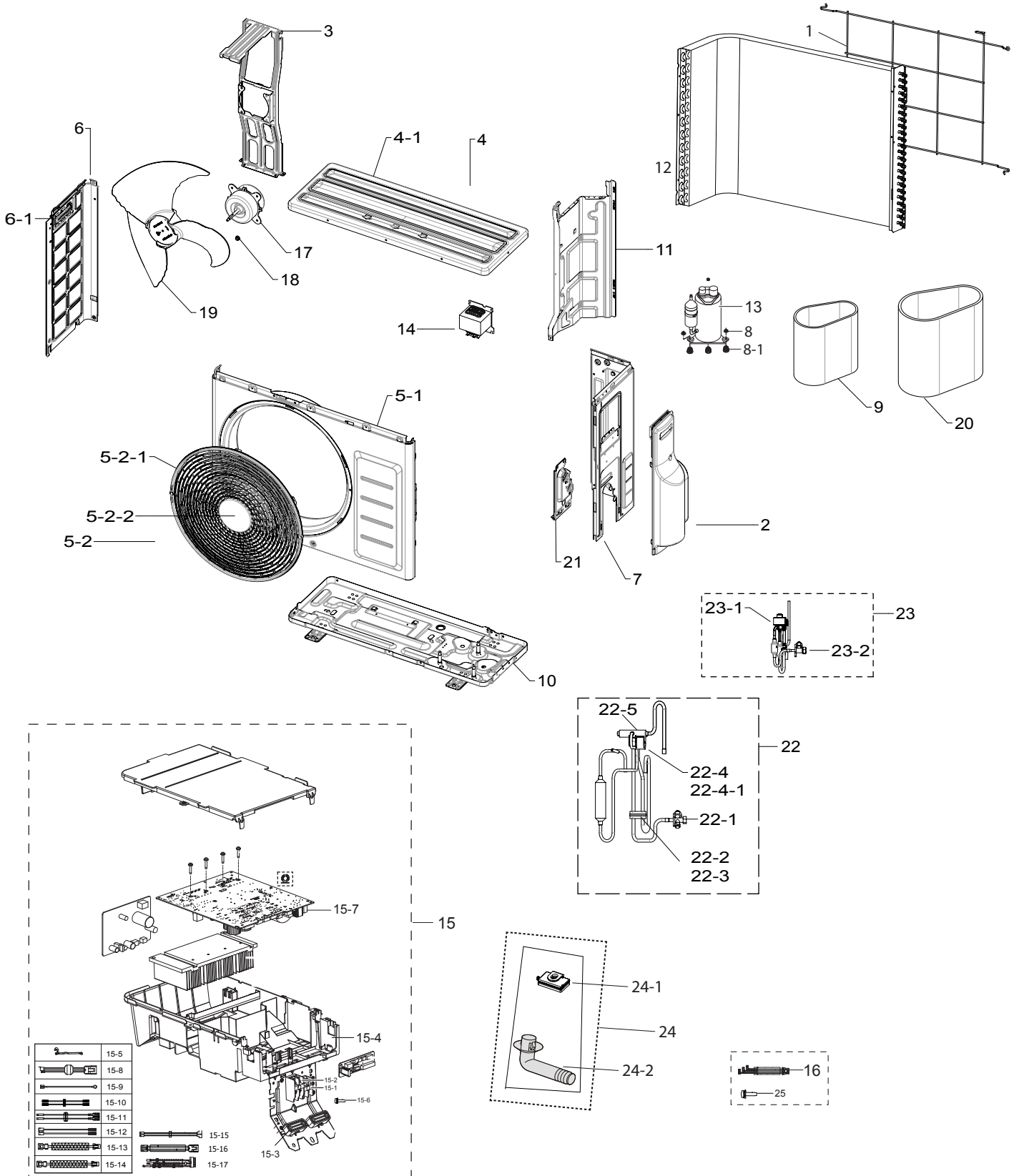


EXPLODED VIEW : INDOOR



AR12CXCAAWKNEU					
No.	Code No.	Description	Spec.	Q'ty	SA/SNA
1	DB67-60030A	SPRING-SENSOR	WW2-PJT,STS301,0.4mm,T0.4,NONE,W2.7	2	SA
2	DB90-11453A	ASSY HANGER	AR9500T,QMD RAC 1, 2	1	SA
3	DB31-00636A	MOTOR BLDC FAN	RD-310-25-8A(AL),1500,310V,1,27W	1	SA
4	DB90-11563B	ASSY HOLDER-PIPE	AR9500T,Recycle PP	1	SA
4-1	DB61-07413B	HOLDER-PIPE	RAC QMD,PP,T2,D,BLACK,-,-,P-001S	1	SA
5	DB63-04215B	COVER MOTOR	PP+TD30%,T1.8,HB,BLACK,-,-,SSPP-T30	1	SA
6	DB94-00455B	ASSY-RUBBER BEARING	AR18MC5UDMCNNA,ASSY	1	SC
6-1	DB94-40007B	ASSY BEARING	G1-PJT,SSEC	1	SC
7	DB94-02933A	ASSY FAN CROSS	JUNGFRAU,SSEC	1	SA
8	DB94-07969A	ASSY BACK BODY	AR9500T,QMD RAC 2	1	SA
9	DB96-24844A	ASSY EVAP-MODULE	S2-3,L660, 1BY2, EU	1	SA
9-5-1	DB60-30010A	FASTENER-NUT FLARE	-,BRASS,-,-,-,1/4"	1	SA
10	DB63-04208A	FILTER AIR-PRE MODULE	AR9500T, QMD RAC2,HIPS,DA WHITE,-,Biocidal_Y,XQ8318	1	SA
11	DB90-11932B	ASSY COVER-PANEL	QMD RAC2, WIND-FREE,DB68-08680A	1	SA
11-1	DB63-04226A	COVER PANEL	AR9500T, QMD RAC2, WIND-FREE,HIPS,T2.5,-,DA WHITE,-	1	SA
12	DB92-04822F	ASSY PANEL FRONT	GEO,DIT+Bixby+PIR,Option filter,QMD RAC2, WIND FREE	1	SA
12-1	DB64-03462A	PANEL FRONT	AR9500T, QMD RAC2, WIND-FREE,HIPS,XQ83180,DA WHIT	1	SA
12-2	DB64-03471A	GRILLE INLET	AR9500T, QMD RAC2, WIND-FREE,,HIPS,T3,DA WHITE,-,X	1	SA
12-3	DB93-17180C	ASSY DISPLAY	AR9500T,Hole, DIT+SmartThings+PIR	1	SA
13	DB61-07430A	PLATE CONTROL-RIGHT	AR9500T,GI-SGCC,T0.3	1	SA
14-1	DB32-00270A	SENSOR PHOTO	SA5-0670,5V	1	SA
14-2	DB37-00033A	TERMINAL BLOCK	DAF-4P-M,MELAMINE,300V,30A,58.7X36.4X22mm,D4,NO,4	1	SA
14-3	DB63-04265A	COVER PCB	HIPS,-,L76.5,-,BLACK,-,HIPS 3315,WIFI COVER	1	SA
14-8	DB61-07432A	CASE CONTROL-IN	AR9500T,ABS,L260,BLACK,VE-0858	1	SA
14-9	DB92-05040C	ASSY PCB DISPLAY	DISPLAY_DLX_TP2X,QMD RAC AR9500T,50x84.5mm,88,Ex	1	SA
14-9-1	DB61-07412A	CASE-LED	AR9500T, QMD RAC,HIPS,T1.8,L69,BLACK,-,HIPS 3315,8.8	1	SA
14-9-2	4709-002610	W-LAN MODULE	CWAM210S,ARTIK 051,IEEE802.11,2.4GHz,5V,1X1,54.0x30	1	SA
14-10	DB92-04839A	ASSY PCB MAIN	MAIN,QMD RAC AR9500T,142x121mm,220V-240V,5V,12V,	1	SA
14-11	DB93-14245D	ASSY CONNECTOR WIRE-EARTH	1,1015,16,YEL/GRN,ST710095-3,ST710095-3,-,380,-,-,-,E	1	SA
14-12	DB93-17055B	ASSY CONNECTOR WIRE-COMM	2,1007,22,RED,SMH250-03L/RED,179973-1,-,270,PVC TUBI	1	SA
14-13	DB93-17169A	ASSY CONNECTOR WIRE-POWER	3,1015,18,BRN,YH396-05VR/BLU,175022-1,ST710095-3,15	1	SA
14-14	DB32-00272A	SENSOR HUMIDITY	5V,10-90%RH,AC,DLX,5%,400mm,28P	1	SA
14-15	DB61-07464A	CASE PCB	AR9500T,HIPS,-,L65.7,BLACK,-,HIPS 3315,WIFI	1	SA
14-16	DB93-17170A	ASSY CONNECTOR WIRE-DC SIGNAL	4,1007,26,BRN,SMH200-H04H3/WHT,EH-4Y/WHT,-,100,-,-,	1	SA
14-17	DB93-17190A	ASSY CONNECTOR WIRE	5,1007,26,RED,SMH200-H05H3/WHT,SMH200-H05H3/RED,	1	SA
14-23	DB93-17178A	ASSY CONNECTOR WIRE-DC SIGNAL	14,2095,26,RED,SMH200-H14H3/WHT,SMH200-H14H3/WHT	1	SA
15	DB94-07996A	ASSY TRAY DRAIN-MODULE	DA WHITE,QMD RAC 2,WIND FREE	1	SA
15-1	DB31-00371A	MOTOR STEP	-,DC12V,650gf.cm,E CLASS,1W,5.625deg,1/64	1	SC
15-2	DB31-00371C	MOTOR STEP	-,DC12V,650gf.cm,E CLASS,5.625deg,1/64	1	SA
15-3	DB31-00695A	MOTOR STEP 2P	STEP MOTOR,DC 12V,650gf.cm,E CLASS,1W,5.625deg,1/6	1	SA
15-4	DB61-06989A	HOLDER WIRE	F11-RAC,HIPS,-,W16.5,L17,BLACK,-,-,HIPS 3315,MOTOR	1	SA
15-5	DB61-07418A	HINGE BLADE-A	AR9500,POM,T0.7,NATURAL,W10.1,LW301,-,-	1	SA
15-6	DB61-07419A	HINGE BLADE-B	AR9500,POM,T0.7,NATURAL,W16.1,LW301,-,-	2	SA
15-7	DB61-07440A	CASE MOTOR	QMD RAC,HIPS,T2,L53.2,BLACK,-,HIPS 3315,CASE STEP M	1	SA
15-10	DB63-04250A	GUARD-SCREEN	AR9500T,MSWR,T1,BLACK,QMD2,L660.4	1	SA
15-11	DB66-01727A	LINK BLADE-C	A3050, F-RAC-04,POM,NATURAL,-,LW301	1	SA
15-12	DB66-02038A	BLADE V	AR9500,PP,T1.6,BLACK,QMD RAC_NO WIND(AUTO)	14	SA
15-13	DB66-02043A	BLADE H	AR9500,ABS,T3.3,DA WHITE,-,SR-0320K,QMD RAC2_No W	1	SA
15-14	DB66-02046A	LINK BLADE-A	AR9500,POM,L587.6,T2.5,BLACK,QMD RAC2	1	SA
15-15	DB66-02048A	LINK BLADE-B	AR9500,POM,L63.9,T2.2,BLACK,QMD RAC3	1	SA
15-16	DB66-02049A	LINK BLADE-D	AR9500,POM,L59.1,T2.2,BLACK,-,LW301,QMD RAC	1	SA
15-17	DB73-00180A	RUBBER-CAP DRAIN	SS-PJT,EPDM,T3,-,PM GRAY,-,L 40,-	1	SA
15-18	DB93-17189B	ASSY CONNECTOR WIRE	5,2095,26,RED,SMH200-H05H3/BLK,25045HP-05A/WHT,-,1	1	SA
15-19	DB94-02195B	ASSY DRAIN-HOSE	ALL,HOSE DRAIN L550mm	1	SA
17	DB96-25924C	ASSY WIRELESS REMOCON	23. RAC,RS-9,ENGLISH,16.5*27.2,°C,RAC,Heat Pump,SAM	1	SA
18	DB81-01328A	INSULATION TUBE	PO,T0.5,W8,L70,-,BLACK,-	2	SA
19	DB94-08209A	ASSY FILTER	AR9500T,Tri-care	1	SA
20	DB61-07416A	HOLDER PANEL-FILTER	AR9500T, QMD RAC1,2, WIND-FREE,HIPS,T2,W46,L508,DA	1	SA

OUTDOOR UNIT



 **Parts List**

AR12TXCAAWKXEU					
No.	Code No.	Description	Spec.	Q'ty	SA/SNA
1	DB63-03873A	GUARD COND	F-XS-03,MSWR,T3,EARTH BROWN	1	SA
2	DB90-06381F	ASSY COVER-VALVE	NEW_WW,GY0108	1	SA
3	DB90-07834A	ASSY BRACKET MOTOR	F-XS-03(NEW SI),SSEC	1	SA
4	DB90-07738A	ASSY CABI TOP	F-XS-03_SI CHASSIS,ASSY	1	SA
4-1	DB64-02983B	CABINET TOP	N_SI,GI-SGCC,TO.7,3 Front holes	1	SA
5-1	DB90-07737P	ASSY CABI FRONT	NEW SI_FIN&TUBE COND,NEW ASSY GUARDFAN	1	SA
5-2	DB90-08047B	ASSY GUARD-FAN	N-WW	1	SA
5-2-1	DB62-02912T	SEAL-GUARD FAN	LEX FOAM,WHITE,T3,W12,L20	6	SA
5-2-2	DB63-03660A	GUARD FAN	AR12NVFPCWKXAZ,PP,T1,EARTH BROWN	1	SA
6	DB90-08039A	ASSY CABI SIDE-LEFT	N-SI,A3050,F-XS-03,GI-SGCC	1	SA
6-1	DB64-00992C	HANDLE-LF	AR12NSPXBBWKXAZ,PP,T2,W113,L48,MT42S,GY0180,SSEC	1	SA
7	DB90-07739J	ASSY CABI SIDE-RH	SSEC,NEW SI,ASSY	1	SA
8	DB60-30028A	NUT-FLANGE	HWH,M8,ZPC(WHT),SWRCH18A,P1.25/Washer Type(WP)	3	SA
8-1	DB63-03386A	GROMMET ISOLATOR	NR,L33,ID11.5,OD34	3	SA
9	DB63-02341A	FELT-COMP SIDE	FELT/PVC,T5+T1.6	1	SA
10	DB90-07728A	ASSY BASE OUT	AR12FSSSBWKXSA,SSEC	1	SA
11	DB67-01402A	PARTITION	F-XS-03,GI-SGCC,TO.6	1	SA
12	DB96-23270A	ASSY COND BENDING	N_SI	1	SA
12-1	DB61-05340A	PLATE-COND LF	AQV12EWH,GI-SGCC,TO.7,SSEC	1	SA
13	DB95-05762A	ASSY COMP	KTN130D42UFR,R32	1	SA
14	DB27-00067A	COIL HARMONIC	5mH,94.5*86*65.1,15A,Screw	1	SA
15-1	DB37-00036A	TERMINAL BLOCK	2P(4SCREW),MELAMINE,600V,30A,30X48X26mm,D4.4,NO,2P,T	1	SA
15-2	DB65-00274A	TERMINAL BLOCK	TERMINAL BLOCK,Polycarbonate, Phenol,AC300V,20A,22x36.4	1	SA
15-3	DB61-00250A	HOLDER-WIRE CLAMP	AF25M9970DBX,PA,-,-,-,BLACK,-,-,V-0,FR50,-,-,-,-	2	SA
15-4	DB61-06722A	CASE CONTROL-OUT	ABS,T2,L0,VICTORY GRAY,ABS2030	1	SA
15-5	DB81-00635A	SPRING ETC-SENSOR	DVM-SYSTEM,STS304,R2.5,R4.5,44,0.3,2.0,NONE	2	SA
15-6	DB91-00933A	ASSY-SCREW MACHINE	MH*, FJM,M3, L12	3	SA
15-8	DB93-09497B	ASSY CONNECTOR WIRE	3,1015,16,RED,MG625040/WHT,DBT061-03P/WHT,-,200,-,-,-,-	1	SA
15-9	DB93-12121B	ASSY CONNECTOR WIRE-EARTH WIRE	1,1015,18,YEL/GRN,173724-1,ST710197-2,-,240,-,-,-,-,PBA-EAR	1	SA
15-10	DB92-04837D	ASSY MODULE	INVERTER,QMD RAC AR9500T,142x222mm,Y,220V-240V,5V,12V	1	SA
15-11	DB93-16371A	ASSY CONNECTOR WIRE-POWER	2,1015,16,BRN,175022-1,MG630591R/WHT,-,500,-,-,TR36-23-	1	SA
15-12	DB93-16402A	ASSY CONNECTOR WIRE-COMM	2,1007,22,RED,YH396-02V/RED,175020-1,-,250,PVC/BLK,200,-,	1	SA
15-15	DB93-17175A	ASSY CONNECTOR WIRE-REACTOR	2,1015,16,WHT,MG630591R/WHT,MG633976K/WHT,-,370,-,-,	1	SA
15-16	DB93-17177A	ASSY CONNECTOR WIRE-AC SIGNAL	2,1015,18,SKY,YH396-03VR/WHT,YH396-H03PL/WHT,-,150,PVC	1	SA
15-17	DB95-05164A	ASSY THERMISTOR OUT	103AT,AC,200,10	1	SA
16	DB93-12849A	ASSY CONNECTOR WIRE	3,3343,16,YEL,MG610876/WHT,MG634833/WHT,-,250,CB-600	1	SA
17	DB31-00642C	MOTOR BLDC FAN	RD-310-45-8B,310V,40W	1	SA
18	DB60-00437A	FASTENER-NUT FLANGE	SWRCH10A,14,1.2,6	1	SA
19	DB67-01407A	FAN PROPELLER	AR12NVFPCWKXAZ,PP+GF20%+PD20%,AR12NVFPCWKXAZ,PP+G	1	SA
20	DB63-02460G	CLOTH COMP-OUT	QMD RAC(2150/3150, velcro less,FELT/PVC,T5+T1.6	1	SA
22	DB96-24878A	ASSY TUBE 4WAY	N-SI,20-RIH-6,20-RIH-74-R32,ATN110/KTN130,F&T 4-4-2,'3/8,	1	SA
22-1	DB62-09654A	VALVE SERVICE-SPINDLE	FLARE,R410A,9.52	1	SA
22-2	DB67-60031A	SPRING-RUBBER	QMD,STS304,1.4mm,OD34.8,T1.4,RUST_RESISTING_PROCESS,A	3	SA
22-3	DB67-70011A	WEIGHT-RUBBER	NR,BLACK	2	SA
22-4	DB95-04804B	ASSY-SOLENOID	MALDIVES,CONNECT PBA	1	SA
22-4-1	DB95-01635A	VALVE COIL SOLENOID	AC220-240V,1000,L-Wire	1	SC
22-5	DB62-06847A	VALVE 4WAY	BRASS,2HP,COMMON	1	SA
23	DB96-24887B	ASSY TUBE EEV	N-SI,F&T 4-4-2,1.3C(R32),H/P	1	SA
23-1	DB62-12213A	VALVE COIL EXPAN	DC12V,COIL,700,15.45,MOLDING	1	SA
23-2	DB62-09652A	VALVE SERVICE-SPINDLE	FLARE,R410A,6.35	1	SA
24-1	DB67-01533A	RUBBER-LEG	All frame,NR,BLACK	4	SA
24-2	DB67-20011A	DRAIN-PLUG OUT	ASH-1814ER,PP,-,-,-,-,NATURAL,-,-,-	1	SA
25	6002-000481	SCREW-TAPPING	TH+,NO,2S,M4.0,L12,NI PLT,SWRCH18A,ZnNi + TOP Coating	25	SA