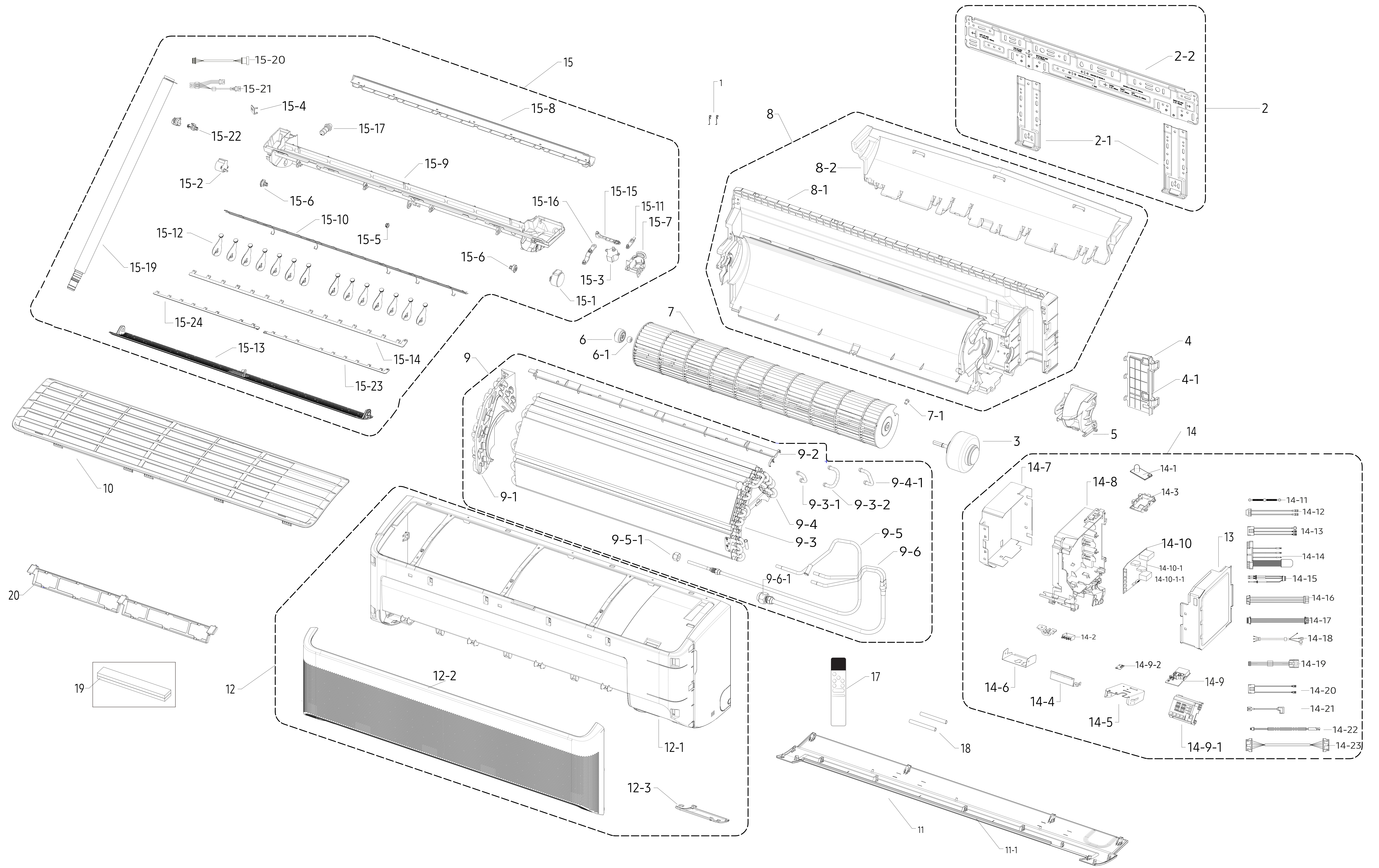
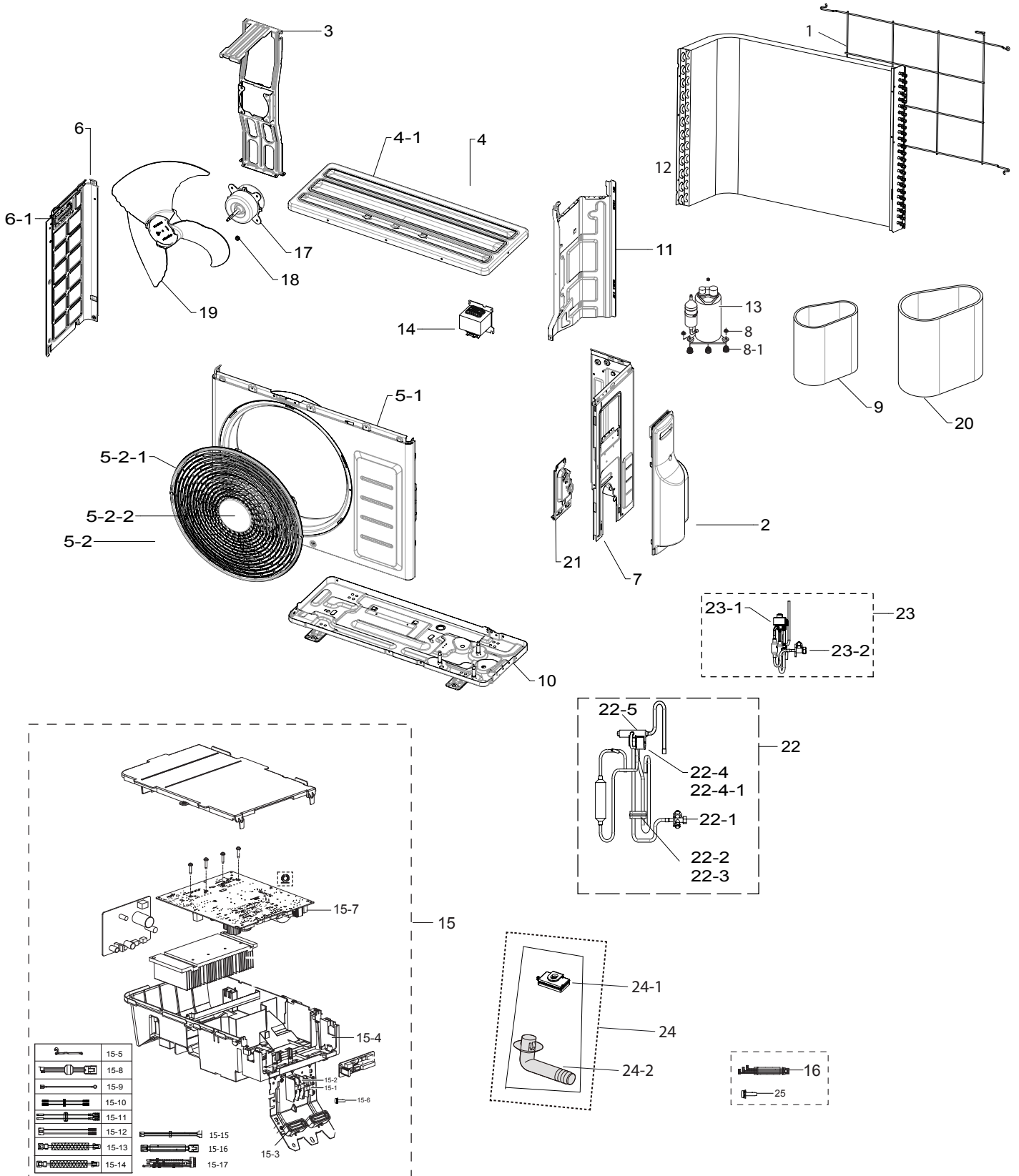


EXPLODED VIEW : INDOOR



| AR09CXCAAWKNEU | | | | | |
|----------------|-------------|-------------------------------|---|------|--------|
| No. | Code No. | Description | Spec. | Q'ty | SA/SNA |
| 1 | DB67-60030A | SPRING-SENSOR | WW2-PJT,STS301,0.4mm,T0.4,NONE,W2.7 | 2 | SA |
| 2 | DB90-11453A | ASSY HANGER | AR9500T,QMD RAC 1, 2 | 1 | SA |
| 3 | DB31-00636A | MOTOR BLDC FAN | RD-310-25-8A(AL),1500,310V,1,27W | 1 | SA |
| 4 | DB90-11563B | ASSY HOLDER-PIPE | AR9500T,Recycle PP | 1 | SA |
| 4-1 | DB61-07413B | HOLDER-PIPE | RAC QMD,PP,T2,D,BLACK,-,-,P-001S | 1 | SA |
| 5 | DB63-04215B | COVER MOTOR | PP+TD30%,T1.8,HB,BLACK,-,SSPP-T30 | 1 | SA |
| 6 | DB94-00455B | ASSY-RUBBER BEARING | AR18MC5UDMCNNA,ASSY | 1 | SC |
| 6-1 | DB94-40007B | ASSY BEARING | G1-PJT,SSEC | 1 | SC |
| 7 | DB94-02933A | ASSY FAN CROSS | JUNGFRAU,SSEC | 1 | SA |
| 8 | DB94-07969A | ASSY BACK BODY | AR9500T,QMD RAC 2 | 1 | SA |
| 9 | DB96-24844A | ASSY EVAP-MODULE | S2-3,L660, 1BY2, EU | 1 | SA |
| 9-5-1 | DB60-30010A | FASTENER-NUT FLARE | -,BRASS,-,-,-,1/4" | 1 | SA |
| 10 | DB63-04208A | FILTER AIR-PRE MODULE | AR9500T, QMD RAC2,HIPS,DA WHITE,-,Biocidal_Y,XQ83180 | 1 | SA |
| 11 | DB90-11932B | ASSY COVER-PANEL | QMD RAC2, WIND-FREE,DB68-08680A | 1 | SA |
| 11-1 | DB63-04226A | COVER PANEL | AR9500T, QMD RAC2, WIND-FREE,HIPS,T2.5,-,DA WHITE,- | 1 | SA |
| 12 | DB92-04822F | ASSY PANEL FRONT | GEO,DIT+Bixby+PIR,Option filter,QMD RAC2, WIND FREE | 1 | SA |
| 12-1 | DB64-03462A | PANEL FRONT | AR9500T, QMD RAC2, WIND-FREE,HIPS,XQ83180,DA WHIT | 1 | SA |
| 12-2 | DB64-03471A | GRILLE INLET | AR9500T, QMD RAC2, WIND-FREE,,HIPS,T3,DA WHITE,-,X | 1 | SA |
| 12-3 | DB93-17180C | ASSY DISPLAY | AR9500T,Hole, DIT +SmartThings+PIR | 1 | SA |
| 13 | DB61-07430A | PLATE CONTROL-RIGHT | AR9500T,GI-SGCC,T0.3 | 1 | SA |
| 14-1 | DB32-00270A | SENSOR PHOTO | SA5-0670,5V | 1 | SA |
| 14-2 | DB37-00033A | TERMINAL BLOCK | DAF-4P-M,MELAMINE,300V,30A,58.7X36.4X22mm,D4,NO,4 | 1 | SA |
| 14-3 | DB63-04265A | COVER PCB | HIPS,-,L76.5,-,BLACK,-,HIPS 3315,WIFI COVER | 1 | SA |
| 14-8 | DB61-07432A | CASE CONTROL-IN | AR9500T,ABS,L260,BLACK,VE-0858 | 1 | SA |
| 14-9 | DB92-05040C | ASSY PCB DISPLAY | DISPLAY_DLX_TP2X,QMD RAC AR9500T,50x84.5mm,88,Ex | 1 | SA |
| 14-9-1 | DB61-07412A | CASE-LED | AR9500T, QMD RAC,HIPS,T1.8,L69,BLACK,-,HIPS 3315,8.8 | 1 | SA |
| 14-9-2 | 4709-002610 | W-LAN MODULE | CWAM210S,ARTIK 051,IEEE802.11,2.4GHz,5V,1X1,54.0x30 | 1 | SA |
| 14-10 | DB92-04839A | ASSY PCB MAIN | MAIN,QMD RAC AR9500T,142x121mm,220V-240V,5V,12V, | 1 | SA |
| 14-11 | DB93-14245D | ASSY CONNECTOR WIRE-EARTH | 1,1015,16,YEL/GRN,ST710095-3,ST710095-3,-,380,-,-,-,-,E | 1 | SA |
| 14-12 | DB93-17055B | ASSY CONNECTOR WIRE-COMM | 2,1007,22,RED,SMH250-03L/RED,179973-1,-,270,PVC TUBI | 1 | SA |
| 14-13 | DB93-17169A | ASSY CONNECTOR WIRE-POWER | 3,1015,18,BRN,YH396-05VR/BLU,175022-1,ST710095-3,15 | 1 | SA |
| 14-14 | DB32-00272A | SENSOR HUMIDITY | 5V,10-90%RH,AC,DLX,5%,400mm,28P | 1 | SA |
| 14-15 | DB61-07464A | CASE PCB | AR9500T,HIPS,-,L65.7,BLACK,-,HIPS 3315,WIFI | 1 | SA |
| 14-16 | DB93-17170A | ASSY CONNECTOR WIRE-DC SIGNAL | 4,1007,26,BRN,SMH200-H04H3/WHT,EH-4Y/WHT,-,-,100,-,-,-, | 1 | SA |
| 14-17 | DB93-17190A | ASSY CONNECTOR WIRE | 5,1007,26,RED,SMH200-H05H3/WHT,SMH200-H05H3/RED, | 1 | SA |
| 14-23 | DB93-17178A | ASSY CONNECTOR WIRE-DC SIGNAL | 14,2095,26,RED,SMH200-H14H3/WHT,SMH200-H14H3/WHT | 1 | SA |
| 15 | DB94-07996A | ASSY TRAY DRAIN-MODULE | DA WHITE,QMD RAC 2,WIND FREE | 1 | SA |
| 15-1 | DB31-00371A | MOTOR STEP | -,DC12V,650gf.cm,E CLASS,1W,5.625deg,1/64 | 1 | SC |
| 15-2 | DB31-00371C | MOTOR STEP | -,DC12V,650gf.cm,E CLASS,5.625deg,1/64 | 1 | SA |
| 15-3 | DB31-00695A | MOTOR STEP 2P | STEP MOTOR,DC 12V,650gf.cm,E CLASS,1W,5.625deg,1/6 | 1 | SA |
| 15-4 | DB61-06989A | HOLDER WIRE | F11-RAC,HIPS,-,W16.5,L17,BLACK,-,-,HIPS 3315,MOTOR | 1 | SA |
| 15-5 | DB61-07418A | HINGE BLADE-A | AR9500,POM,T0.7,NATURAL,W10.1,LW301,-,- | 1 | SA |
| 15-6 | DB61-07419A | HINGE BLADE-B | AR9500,POM,T0.7,NATURAL,W16.1,LW301,-,- | 2 | SA |
| 15-7 | DB61-07440A | CASE MOTOR | QMD RAC,HIPS,T2,L53.2,BLACK,-,HIPS 3315,CASE STEP M | 1 | SA |
| 15-10 | DB63-04250A | GUARD-SCREEN | AR9500T,MSWR,T1,BLACK,QMD2,L660.4 | 1 | SA |
| 15-11 | DB66-01727A | LINK BLADE-C | A3050, F-RAC-04,POM,NATURAL,-,LW301 | 1 | SA |
| 15-12 | DB66-02038A | BLADE V | AR9500,PP,T1.6,BLACK,QMD RAC_NO WIND(AUTO) | 14 | SA |
| 15-13 | DB66-02043A | BLADE H | AR9500,ABS,T3.3,DA WHITE,-,SR-0320K,QMD RAC2_No W | 1 | SA |
| 15-14 | DB66-02046A | LINK BLADE-A | AR9500,POM,L587.6,T2.5,BLACK,QMD RAC2 | 1 | SA |
| 15-15 | DB66-02048A | LINK BLADE-B | AR9500,POM,L63.9,T2.2,BLACK,QMD RAC3 | 1 | SA |
| 15-16 | DB66-02049A | LINK BLADE-D | AR9500,POM,L59.1,T2.2,BLACK,-,LW301,QMD RAC | 1 | SA |
| 15-17 | DB73-00180A | RUBBER-CAP DRAIN | SS-PJT,EPDM,T3,-,PM GRAY,-,L 40,- | 1 | SA |
| 15-18 | DB93-17189B | ASSY CONNECTOR WIRE | 5,2095,26,RED,SMH200-H05H3/BLK,25045HP-05A/WHT,-,1 | 1 | SA |
| 15-19 | DB94-02195B | ASSY DRAIN-HOSE | ALL,HOSE DRAIN L550mm | 1 | SA |
| 17 | DB96-25924C | ASSY WIRELESS REMOCON | 23. RAC,RS-9,ENGLISH,16.5*27.2,°C,RAC,Heat Pump,SAM | 1 | SA |
| 18 | DB81-01328A | INSULATION TUBE | PO,T0.5,W8,L70,-,BLACK,- | 2 | SA |
| 19 | DB94-08209A | ASSY FILTER | AR9500T,Tri-care | 1 | SA |
| 20 | DB61-07416A | HOLDER PANEL-FILTER | AR9500T, QMD RAC1,2, WIND-FREE,HIPS,T2,W46,L508,DA | 1 | SA |

OUTDOOR UNIT



 **Parts List**

| AR09TXCAAWKXEU | | | | | |
|-----------------------|-------------|--------------------------------|---|------|----------|
| No. | Code No. | Description | Spec. | Q'ty | SA / SNA |
| 1 | DB63-03873A | GUARD COND | F-XS-03,MSWR,T3,EARTH BROWN | 1 | SA |
| 2 | DB90-06381F | ASSY COVER-VALVE | NEW_WW,GY0108 | 1 | SA |
| 3 | DB90-07834A | ASSY BRACKET MOTOR | F-XS-03(NEW SI),SSEC | 1 | SA |
| 4 | DB90-07738A | ASSY CABI TOP | F-XS-03_SI CHASSIS,ASSY | 1 | SA |
| 4-1 | DB64-02983B | CABINET TOP | N_SI,GI-SGCC,T0.7,3 Front holes | 1 | SA |
| 5-1 | DB90-07737P | ASSY CABI FRONT | NEW SI_FIN&TUBE COND,NEW ASSY GUARDFAN | 1 | SA |
| 5-2 | DB90-08047B | ASSY GUARD-FAN | N-WW | 1 | SA |
| 5-2-1 | DB62-02912T | SEAL-GUARD FAN | LEX FOAM,WHITE,T3,W12,L20 | 6 | SA |
| 5-2-2 | DB63-03660A | GUARD FAN | AR12NVFPCWKXAZ,PP,T1,EARTH BROWN | 1 | SA |
| 6 | DB90-08039A | ASSY CABI SIDE-LEFT | N-SI,A3050,F-XS-03,GI-SGCC | 1 | SA |
| 6-1 | DB64-00992C | HANDLE-LF | AR12NSPXBWKXAZ,PP,T2,W113,L48,MT42S,GY0180,SSEC | 1 | SA |
| 7 | DB90-07739J | ASSY CABI SIDE-RH | SSEC,NEW SI,ASSY | 1 | SA |
| 8 | DB60-30028A | NUT-FLANGE | HRWH,M8,ZPC(WHT),SWRCH18A,P1.25/Washer Type(WP) | 3 | SA |
| 8-1 | DB63-03386A | GROMMET ISOLATOR | NR,L33,ID11.5,OD34 | 3 | SA |
| 9 | DB63-02341A | FELT-COMP SIDE | FELT/PVC,T5+T1.6 | 1 | SA |
| 10 | DB90-07728A | ASSY BASE OUT | AR12FSSSBWKXSA,SSEC | 1 | SA |
| 11 | DB67-01402A | PARTITION | F-XS-03,GI-SGCC,T0.6 | 1 | SA |
| 12 | DB96-23270A | ASSY COND BENDING | N_SI | 1 | SA |
| 12-1 | DB61-05340A | PLATE-COND LF | AQV12EWH,GI-SGCC,T0.7,SSEC | 1 | SA |
| 13 | DB95-05762A | ASSY COMP | KTN130D42UFR,R32 | 1 | SA |
| 14 | DB27-00067A | COIL HARMONIC | 5mH,94.5*86*65.1,15A,Screw | 1 | SA |
| 15-1 | DB37-00036A | TERMINAL BLOCK | 2P(4SCREW),MELAMINE,600V,30A,30X48X26mm,D4.4,NO, | 1 | SA |
| 15-2 | DB65-00274A | TERMINAL BLOCK | TERMINAL BLOCK,Polycarbonate, Phenol,AC300V,20A,22x3 | 1 | SA |
| 15-3 | DB61-00250A | HOLDER-WIRE CLAMP | AF25M9970DBX,PA,-,-,-,BLACK,-,-,V-0,FR50,-,-,-,-,- | 2 | SA |
| 15-4 | DB61-06722A | CASE CONTROL-OUT | ABS,T2,L0,VICTORY GRAY,ABS2030 | 1 | SA |
| 15-5 | DB81-00635A | SPRING ETC-SENSOR | DVM-SYSTEM,STS304,R2.5,R4.5,44,0.3,2.0,NONE | 2 | SA |
| 15-6 | DB91-00933A | ASSY-SCREW MACHINE | MH*, FJM,M3, L12 | 3 | SA |
| 15-8 | DB93-09497B | ASSY CONNECTOR WIRE | 3,1015,16,RED,MG625040/WHT,DBT061-03P/WHT,-,200,-, | 1 | SA |
| 15-9 | DB93-12121B | ASSY CONNECTOR WIRE-EARTH WIRE | 1,1015,18,YEL/GRN,173724-1,ST710197-2,-,240,-,-,-,-,PBA | 2 | SA |
| 15-10 | DB92-04837D | ASSY MODULE | INVERTER,QMD RAC AR9500T,142x222mm,Y,220V-240V,5 | 1 | SA |
| 15-11 | DB93-16371A | ASSY CONNECTOR WIRE-POWER | 2,1015,16,BRN,175022-1,MG630591R/WHT,-,500,-,-,TR36- | 1 | SA |
| 15-12 | DB93-16402A | ASSY CONNECTOR WIRE-COMM | 2,1007,22,RED,YH396-02V/RED,175020-1,-,250,PVC/BLK,20 | 1 | SA |
| 15-15 | DB93-17175A | ASSY CONNECTOR WIRE-REACTOR | 2,1015,16,WHT,MG630591R/WHT,MG633976K/WHT,-,370, | 1 | SA |
| 15-16 | DB93-17177A | ASSY CONNECTOR WIRE-AC SIGNAL | 2,1015,18,SKY,YH396-03VR/WHT,YH396-H03PL/WHT,-,150 | 1 | SA |
| 15-17 | DB95-05164A | ASSY THERMISTOR OUT | 103AT,AC,200,10 | 1 | SA |
| 16 | DB93-12849A | ASSY CONNECTOR WIRE | 3,3343,16,YEL,MG610876/WHT,MG634833/WHT,-,250,CB-6 | 1 | SA |
| 17 | DB31-00642C | MOTOR BLDC FAN | RD-310-45-8B,310V,40W | 1 | SA |
| 18 | DB60-00437A | FASTENER-NUT FLANGE | SWRCH10A,14,1.2,6 | 1 | SA |
| 19 | DB67-01407A | FAN PROPELLER | AR12NVFPCWKXAZ,PP+GF20%+PD20%,AR12NVFPCWKXAZ | 1 | SA |
| 20 | DB63-02460G | CLOTH COMP-OUT | QMD RAC(2150/3150, velcro less,FELT/PVC,T5+T1.6 | 1 | SA |
| 22 | DB96-24878A | ASSY TUBE 4WAY | N-SI,20-RIH-6,20-RIH-74-R32,ATN110/KTN130,F&T 4-4-2, | 1 | SA |
| 22-1 | DB62-09654A | VALVE SERVICE-SPINDLE | FLARE,R410A,9.52 | 1 | SA |
| 22-2 | DB67-60031A | SPRING-RUBBER | QMD,STS304,1.4mm,OD34.8,T1.4,RUST_RESISTING_PROO | 3 | SA |
| 22-3 | DB67-70011A | WEIGHT-RUBBER | NR,BLACK | 2 | SA |
| 22-4 | DB95-04804B | ASSY-SOLENOID | MALDIVES,CONNECT PBA | 1 | SA |
| 22-4-1 | DB95-01635A | VALVE COIL SOLENOID | AC220-240V,1000,L-Wire | 1 | SC |
| 22-5 | DB62-06847A | VALVE 4WAY | BRASS,2HP,COMMON | 1 | SA |
| 23 | DB96-24887B | ASSY TUBE EEV | N-SI,F&T 4-4-2,1.3C(R32),H/P | 1 | SA |
| 23-1 | DB62-12213A | VALVE COIL EXPAN | DC12V,COIL,700,15.45,MOLDING | 1 | SA |
| 23-2 | DB62-09652A | VALVE SERVICE-SPINDLE | FLARE,R410A,6.35 | 1 | SA |
| 24-1 | DB67-01533A | RUBBER-LEG | All frame,NR,BLACK | 4 | SA |
| 24-2 | DB67-20011A | DRAIN-PLUG OUT | ASH-1814ER,PP,-,-,-,-,NATURAL,-,-,-,- | 1 | SA |
| 25 | 6002-000481 | SCREW-TAPPING | TH,+ ,NO,2S,M4.0,L12,NI PLT,SWRCH18A,ZnNi + TOP Coati | 25 | SA |