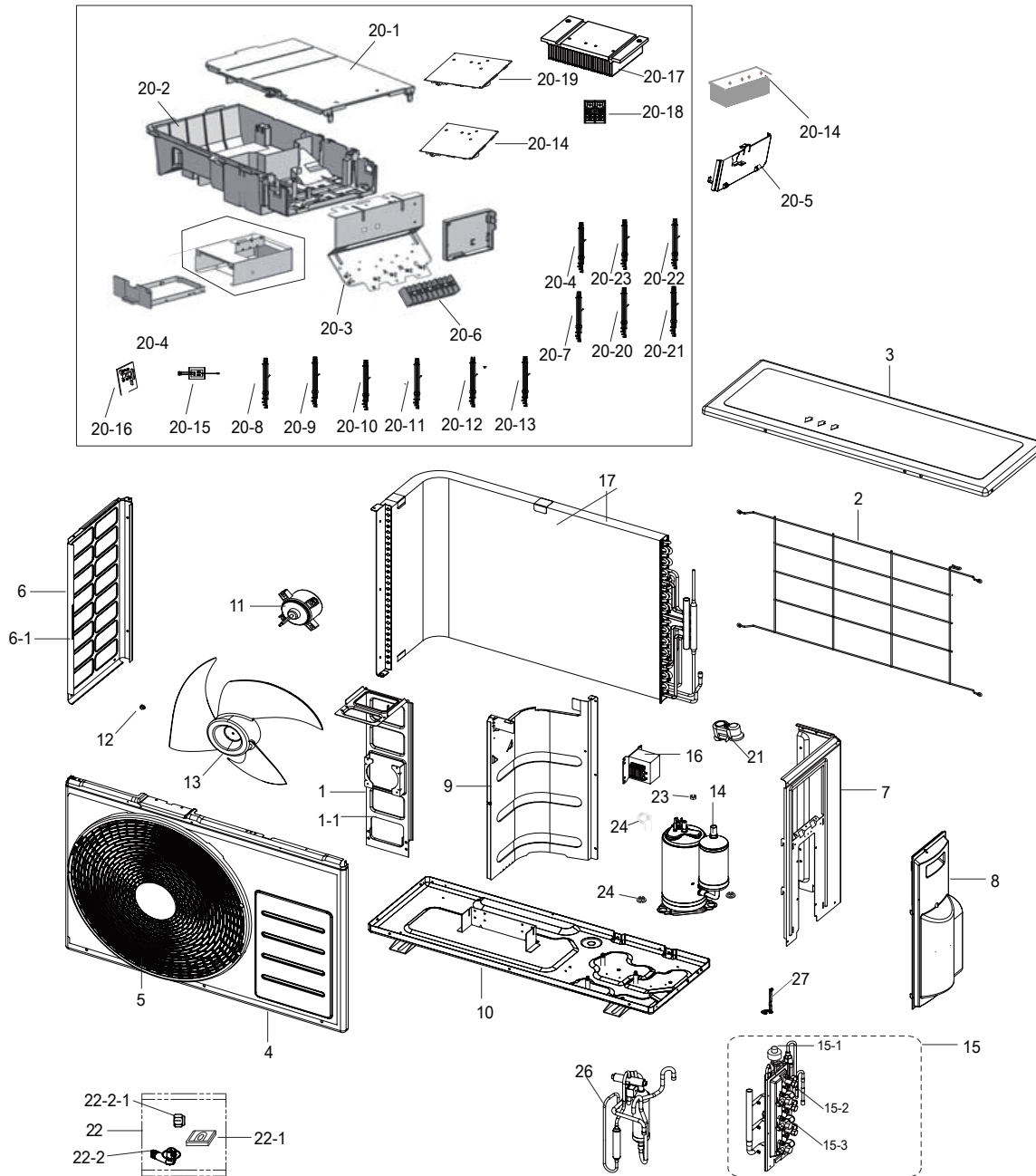


# Outdoor Unit

## ■ Exploded Views - AJ052TX J3KG/EU



No.	Code NO.	Description	Specification	Q'TY	SASNA
1	DB90-11019A	ASSY BRACKET MOTOR	AR24NSFPEWQXEU,SSEC	1	SA
1-1	DB61-07009A	BRACKET MOTOR	Q480,GI-SGCC,T1,W190,L613.	1	SNA
2	DB63-03402A	GUARD-COND BAR	VIVACE,MSWR,T3.5,EARTH BR	1	SA
3	DB90-07183M	ASSY CABINET-UP	AR24NSFPEWQXEU,SSEC	1	SA
3-1	DB64-00967B	HANDLE-OUTDOOR	FAC,PP,T3,W24.8,L110,MT62	1	SA
4	DB90-09697C	ASSY CABI FRONT	AR24NSFPEWQXEU,SSEC	1	SA
5	DB63-03744A	GUARD FAN	AR24NVFPCWKXAZ,PP,T2.5,EARTH B	1	SA
6	DB90-10991A	ASSY CABINET-SIDE LF	AR24NSFPEWQXEU,SSEC	1	SA
6-1	DB90-06905E	ASSY CABI LF	NEW Q480,PMA	1	SA
7	DB64-02828B	CABINET SIDE-RH	Q480,GI-SGCC,T0.8,PMA	1	SNA
8	DB90-07189A	ASSY COVER-VALVE	ASSY, COLOR:GY0180	1	SA
9	DB94-07275A	ASSY PARTITION	AR24NSFPEWQXMG,SSEC,ASSY,	1	SA
10	DB90-10990B	ASSY BASE OUT	AC018MXADKH/VN,ASSY	1	SA
11	DB31-00658D	MOTOR BLDC FAN	310V,125W	1	SA
12	DB60-00405A	FASTENER-WASHER	RC100ZHXA,SWRCH10A,M8	1	SA
13	DB94-06687A	ASSY FAN PROPELLER	AC071MXADKH/EU,ASSY	1	SA
14	DB95-05795A	ASSY COMP	AJ052RCJ3EG/EU,R32	1	SA
15	DB96-23325C	ASSY TUBE EEV	AJ052TXJ3EG/EU,FJM	1	SA
15-1	DB62-12212A	VALVE COIL EXPAN	DC12V,COIL,500,15.45,MO	1	SNA
15-2	DB62-09654A	VALVE SERVICE-SPINDLE	FLARE,R410A,9.52	2	SA
15-3	DB62-09656A	VALVE SERVICE-SPINDLE	.,1/2",R410A, FLAR	1	SA
15-4	DB32-00278B	SENSOR TEMP	103AT,WB20M-024-411/WHT,L750	1	SA
16	DB27-00042B	COIL HARMONIC	5mH,94*94*76.2,15A,Screw	1	SC
17	DB96-18249C	ASSY COND SUB	KOREA S-INV,recycle	1	SA
18	DB92-04916A	ASSY PCB MAIN-OUT	OUTDOOR,FJM NASA,180*8	1	SA
19	DB93-12483A	ASSY PCB SUB-EEPROM	SUB,DVMPLUS4 UP,20*2	1	SA
20	DB92-04900A	ASSY KIT-OUT	OUTDOOR,FJM NASA,P/Q-R32,St	1	SNA
20-1	DB63-02817A	COVER-CONTROLLER	AFN-SD232T*,ABS,T2.2,W3	1	SA
20-2	DB61-07236A	CASE CONTROL	NEW #3 CONTROLLER,ABS,T2,L3	1	SA
20-3	DB61-07450A	PLATE CONTROL	FJM,GI-SGCC,T0.6	1	SNA
20-4	DB93-10906A	ASSY CONNECTOR WIRE-EARTH	1,1015,18,YEL/	1	SA
20-5	DB61-07235A	CASE PCB	NEW #3 CONTROLLER,ABS,T2,L185.3	1	SA
20-6	DB37-00027B	TERMINAL BLOCK	JXW-2-A,MELAMIN,250V,25A,	1	SA
20-7	DB93-10906B	ASSY CONNECTOR WIRE-EARTH	1,1015,18,YEL/	1	SA
20-8	DB93-10905B	ASSY CONNECTOR WIRE-COMP	3,1015,14,RED,M	1	SA
20-9	DB93-16402A	ASSY CONNECTOR WIRE-COMM	2,1007,22,RED,Y	1	SA
20-10	DB93-16973B	ASSY CONNECTOR WIRE-POWER	2,1015,14,BRN,	1	SA
20-11	DB93-16974A	ASSY CONNECTOR WIRE-POWER	2,1015,18,BRN,	1	SA
20-12	DB93-17175A	ASSY CONNECTOR WIRE-REACTOR	2,1015,16,WH	1	SA
20-13	DB93-11274C	ASSY CONNECTOR WIRE-COMP OUT	3,3343,14,R	1	SA
20-14	DC62-00243C	HEAT SINK	HUDSON,AI,T2.5,W11,L15,WHITE,H	1	SA
20-15	3501-001268	RELAY-POWER	12V,0.9W,25000mA,1FormA,20ms	1	SA
20-16	DB92-04176C	ASSY PCB SUB	SUB,FJM_HUB,R32,73X80,N,STA	1	SA
20-17	DB62-12477A	HEAT SINK	INV PF3,AI,T5,W195,L95,SILBER,	1	SNA
20-18	DB37-00037A	TERMINAL BLOCK	4P(8SCREW),MELAMINE,600V,	1	SA
20-19	DB92-04027B	ASSY PCB INVERTER	INVERTER,PF3_17S,160mm	1	SA
20-20	DB93-17033A	ASSY CONNECTOR WIRE-DC SIGNAL	8,2095,26,	1	SA
20-21	DB32-00251B	SENSOR TEMP	103FW,SMH200-08H/WHT,L800,10	1	SA
20-22	DB93-11280A	ASSY CONNECTOR WIRE-TERMINAL BLOCK	1101	2	SNA
20-23	DB93-11280B	ASSY CONNECTOR WIRE-TERMINAL BLOCK	1101	2	SNA
20-24	DB93-11280E	ASSY CONNECTOR WIRE-TERMINAL BLOCK	1100	1	SNA
20-25	3501-001154	RELAY-POWER	12V,0.9W,25000mA,1FormA,20ms	1	SA
20-26	DB93-11280F	ASSY CONNECTOR WIRE-TERMINAL BLOCK	1100	1	SNA
20-27	DB91-00933A	ASSY-SCREW MACHINE	MH*, FJM,M3, L12	6	SA
20-28	DB93-09495N	ASSY CONNECTOR WIRE	2,1015,14,BRN,175022	1	SA
21	DB63-03386A	GROMMET ISOLATOR	NR,33,11.5,34,BLACK	1	SA
22-1	DB67-01533A	RUBBER-LEG	All frame,NR,BLACK	4	SA
22-2	DB67-00477A	DRAIN-PLUG OUT	UH140GZMC,PP,WHITE,SSEC	1	SA
22-2-1	DB60-30010B	FASTENER-NUT FLARE	BRASS	1	SA
23	6021-001142	NUT-HEXAGON FLANGE	M5,ZPC(WHT),SWRCH10A,	1	SA
24	DB60-30028A	NUT-FLANGE	HWH,M8,ZPC(WHT),SWRCH18A,P1.2	3	SA
25	DB63-01416C	GASKET	A/C model,SIR,T1.2,25.0,L55,A/C m	1	SA
26	DB96-24607B	ASSY TUBE 4WAY	AJ052TXJ3EG/EU,FJM	1	SA
26-1	DB95-01612D	ASSY-SOLENOID	RAC,SSEC	1	SA
27	DB81-00635A	SPRING ETC-SENSOR	DVM-SYSTEM,STS304,R2.5	7	SA
28	DB82-03778D	A/S ASSY-EEPROM	AJ052TXJ3KG,EU,Q,PF3-17S	1	SA