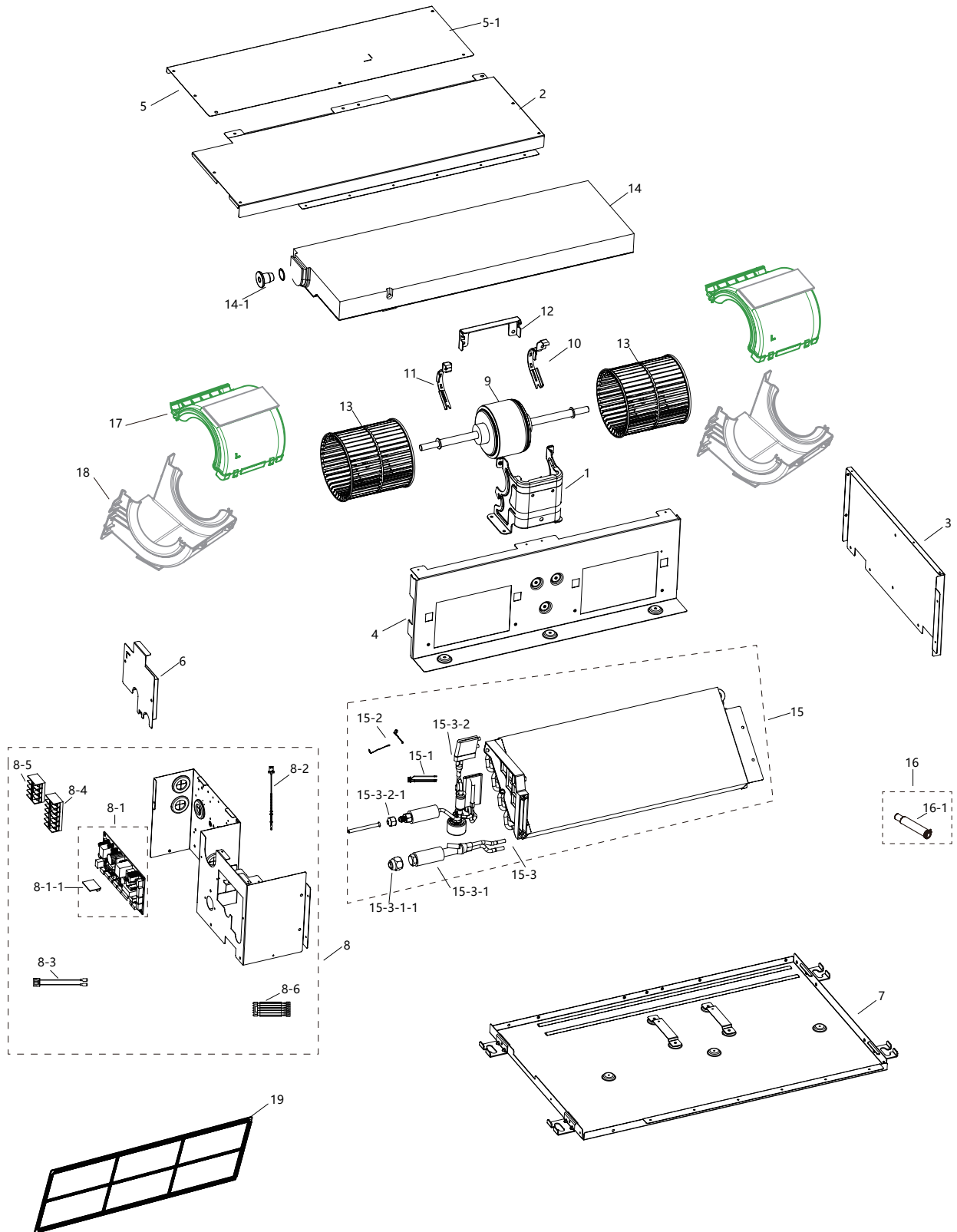


■ AJ035TNLDEG/EU



Model : AJ035TNLDEG/EU

| No. | Parts Code | Parts Description | Spec. | Q'ty | SA/SNA |
|----------|-------------|--------------------------------------|-----------------------------|------|--------|
| 1 | DB61-06041A | BRACKET MOTOR | GI-SGCC,T2.0,- | 1 | SA |
| 2 | DB64-03233A | CABINET TOP | GI-SGCC,T0.7 | 1 | SA |
| 3 | DB64-03235A | CABINET SIDE-LF | DVM,GI-SGCC,T0.8 | 1 | SA |
| 4 | DB67-01550A | PARTITION | GI-SGCC,T1.0 | 1 | SA |
| 5 | DB90-11141A | ASSY CABI TOP-UP | DVM | 1 | SA |
| 5-1 | DB90-06930A | ASSY CABINET-TOP MOTOR | SLIM S,ASSY | 1 | SA |
| 5-1-1 | DB64-02790A | CABINET-TOP MOTOR | SLIM DUCT 0,GI-SGCC,0. | 1 | SA |
| 5-1-2 | DB61-02643A | BRACKET-FILTER | SLIM DUCT 2,SGCC-M,T0.8,1 | 2 | SA |
| 6 | DB90-09667A | ASSY COVER PLATE-PIPE | DVM | 1 | SA |
| 7 | DB90-09771A | ASSY CABI BASE | DVM | 1 | SA |
| 7-1 | DB61-02643A | BRACKET-FILTER | SLIM DUCT 2,SGCC-M,T0.8,1 | 1 | SA |
| 8 | DB93-17220A | ASSY CONTROL IN PARTS | AJ026TNLDEG/EU,ASS | 1 | SNA |
| 8-1 | DB92-03213D | ASSY PCB MAIN-IN | INDOOR,FJM NASA,190*90, | 1 | SA |
| 8-1-1 | DB92-02793A | ASSY FUNCTION | COMM,DVM NASA_CST,Y | 1 | SA |
| 8-1-2 | DB92-04020A | ASSY PCB SUB | SUB,20*25,Indoor EEPROM,Yes | 1 | SA |
| 8-2 | DB95-05009D | ASSY THERMISTOR | 10Kohm±3%,103HW,7P,350,UL | 1 | SA |
| 8-3 | DB39-01108A | CONNECT WIRE-VENTILATOR&WATER HEATER | 2,R | 1 | SA |
| 8-4 | DB65-00179F | TERMINAL BLOCK | DVM FRESH DUCT,PBT+G30%,3 | 1 | SA |
| 8-5 | DB37-00033C | TERMINAL BLOCK | DAF-4P-M,MELAMINE,300V,25 | 1 | SA |
| 8-6 | DB93-09990B | ASSY CONNECTOR WIRE-POWER | 2,1015,18,BRN, | 1 | SA |
| 8-8 | DB93-14029A | ASSY CONNECTOR WIRE-DC SIGNAL | 6100722 | 1 | SA |
| 9 | DB31-00670A | MOTOR BLDC FAN | SLIM DUCT HOME,1200,310V, | 1 | SA |
| 10 | DB61-05983A | HOLDER-MOTOR | GLOBAL DUCT,GI-SGCC,L155,-, | 1 | SA |
| 11 | DB61-05984A | HOLDER-MOTOR | GLOBAL DUCT,GI-SGCC,L155,-, | 1 | SA |
| 12 | DB61-06266A | BRACKET BARRIER-MOTOR | GI-SGCC,T1.6 | 1 | SA |
| 13 | DB67-01554A | BLOWER | ABS,AM018KNLSEH | 2 | SA |
| 14 | DB94-06392A | ASSY TRAY DRAIN | DVM | 1 | SA |
| 14-1 | DB67-01199A | CAP DRAIN-RUBBER | SLIM DUCT1/2/3,EPDM,30, | 1 | SA |
| 15 | DB96-25028A | ASSY EVAP-TOTAL | AJ026TNLDEG/EU | 1 | SNA |
| 15-1 | DB95-05011A | ASSY THERMISTOR IN-EVA IN OUT | SMH200-06H | 1 | SA |
| 15-2 | DB81-00635A | SPRING ETC-SENSOR | DVM-SYSTEM,STS304,R2.5 | 2 | SA |
| 15-3 | DB96-22831B | ASSY EVAP-UNIT | AJ026TNLDEG/EU | 1 | SA |
| 15-3-1 | DB96-22816B | ASSY TUBE EVAP-OUT | AJ026TNLDEG/EU,FJM DU | 1 | SA |
| 15-3-1-1 | DB60-30010B | FASTENER-NUT FLARE | AR12RV3HEWKNNA,BRASS | 1 | SA |
| 15-3-2 | DB96-22820C | ASSY TUBE EVAP-IN | AJ026TNLDEG/EU,FJM DUC | 1 | SA |
| 15-3-2-1 | DB60-30010A | FASTENER-NUT FLARE | BRASS | 1 | SA |
| 16 | DB97-04340E | ASSY ACCESSORY IN PARTS | AVXDSH022EE | 1 | SNA |
| 16-1 | DB97-31261C | ASSY ACCESSORY-HOSE | AM022FNMDEH/TK,SSEC, | 1 | SNA |
| 17 | DB90-09694A | ASSY CASE FAN-UP | DVM | 2 | SA |
| 18 | DB90-09731A | ASSY CASE FAN-BOTTOM | DVM | 2 | SA |
| 19 | DB63-03106A | FILTER-PRE | SLIM S,PP,T2.0,191,611 | 1 | SA |