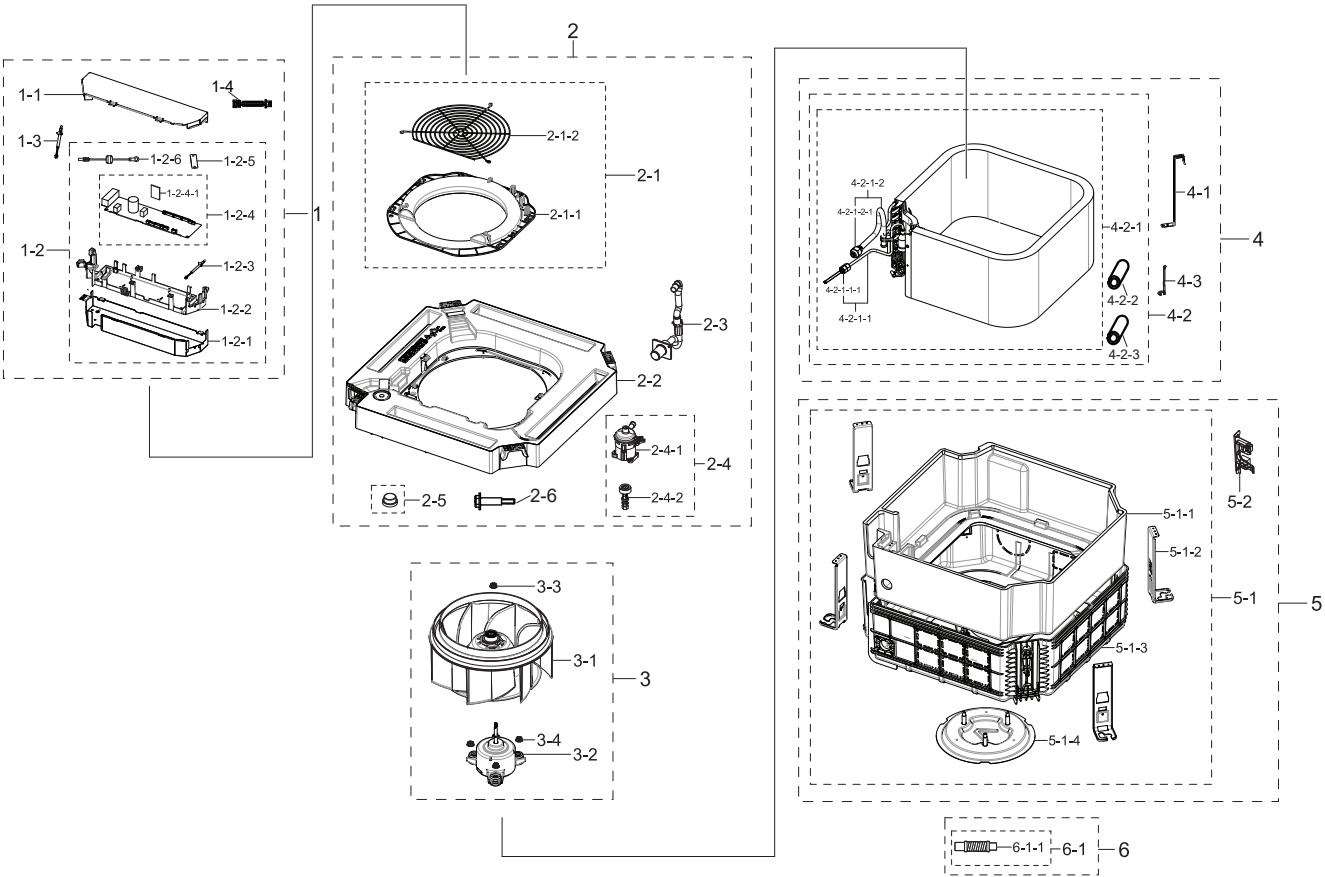


# AJ026TNNDKG/EU

## Exploded View



■ Parts List : AJ026TNNDKG/EU

No.	Code No.	Description	Specification	Q'ty	SA/SNA
1	DB93-17218A	ASSY CONTROL IN PARTS	AJ016TNNDKG/EU,ASS	1	SNA
1-1	DB90-07026A	ASSY COVER CONTROL	GLOBAL-MINI 4WAY,SSEC	1	SA
1-2	DB92-04915A	ASSY KIT-IN	INDOOR,FJM NASA,4 WAY,Standa	1	SNA
1-2-1	DB61-05328A	PLATE-CASE CONTROL	GLOBAL-MINI-4WAY,GI-SGCC,T0.7,W85.9,L347.1,-,H50.7,SSEC	1	SNA
1-2-2	DB61-05320A	CASE-CONTROL IN	GLOBAL-MINI-4WAY,ABS,T1.5,76.1,353.3,Nature,5V-A,SSEC	1	SA
1-2-3	DB95-05009A	ASSY THERMISTOR IN-ROOM	103AT,AC,-,-,-,250,-,-,10	1	SA
1-2-4	DB92-04538A	ASSY PCB MAIN	MAIN,FJM_WIND FREE_4WAY,260*70,Y,220~240V,15V,12V,5V,30W,BLDC MOTOR,STANDARD	1	SA
1-2-4-1	DB92-04020A	ASSY PCB SUB	SUB,20*25,Indoor EEPROM,Yes	1	SA
1-2-5	DB61-05325A	BRACKET-CONTOL IN	GLOBAL-MINI-4WAY,GI-SGCC,1.6,15.4,59.4,SSEC	1	SNA
1-2-6	DB93-08805D	ASSY CONNECTOR WIRE-EARTH	1,1015,18,YEL/GRN,YDH236-01W/WHT,ST710095-3,-,120,-,-,-,PBA-EARTH,AM140FN4DEH/EU,N,-	1	SA
1-3	DB95-05011A	ASSY THERMISTOR IN-EVA IN OUT	103AT,AC,-,-,-,200,-,-,10	1	SA
1-4	DB93-13688B	ASSY CONNECTOR WIRE-DC SIGNAL	2,1007,24,WHT,25045HP-02B/WHT,SMH200-02H/WHT,-,90,PVC/4.1PI/BLK,80,-,-,PBA-PBA,DVM NASA,N,-,DVM NASA,2P-2P,90mm	1	SA
1-5	DB92-03105L	ASSY PCB MAIN-IN	INDOOR,FJM NASA,260*70,	1	SA
1-5-1	DB37-00026A	TERMINAL BLOCK	DAPC 3013-2P-M,MELAMINE,3	1	SA
1-5-2	DB92-02793A	ASSY FUNCTION	COMM,DVM NASA_CST,Y	1	SA
1-5-3	DB94-08198A	ASSY PCB AUTO-IN	INDOOR,FJM NASA,260*70,	1	SA
1-5-3-1	DB94-08199A	ASSY PCB SMD-IN	INDOOR,FJM NASA,260*70,2	1	SA
2	DB94-03785A	ASSY DRAIN PARTS	AM060FNNDH/EU,SSEC	1	SNA
2-1	DB90-07027A	ASSY CASE-BELL MOUTH	GLOBAL-MINI 4WAY,SSEC	1	SA
2-1-1	DB61-05319A	CASE-BELL MOUTH	GLOBAL-MINI-4WAY,HIPS,T2.5,BLACK,SSEC	1	SA
2-1-2	DB63-03253A	GUARD-SAFETY	GLOBAL-MINI 4WAY,HSWR-SWRH,SSEC	1	SA
2-2	DB91-01417A	ASSY DRAIN PAN	GLOBAL-MINI 4WAY,SSEC	1	SA
2-3	DB94-03495A	ASSY DRAIN-SOCKET	GLOBAL-MINI 4WAY,SSEC	1	SA
2-4	DB94-04236C	ASSY DRAIN-PUMP	GLOBAL 4 WAY CAC,SSEC	1	SA
2-4-1	DB31-00649A	PUMP DRAIN	400cc,-,1200mm,ul3266,350,PVC,V-0	1	SA
2-4-2	DB95-04462D	SWITCH FLOAT	70±0.5mm,2.5,660mm,SMH250-02L(BLK),SMH-250J-02RT,YST-025L3	1	SA
2-5	DB67-01271A	RUBBER-CAP DRAIN SOCKET	MINI-4WAY,EPDM,GRAY BLUE,SSEC	1	SA
2-6	DB60-00150A	SCREW-SPECIAL	HWH,M4,L26,ZPC(WHT),SWRCH18A	2	SA
3	DB94-02646A	ASSY FAN IN PARTS	ACN052NDEHA,MINI 4WAY	1	SNA
3-1	DB94-03385A	ASSY FAN TURBO	MINI 4WAY CST,SSEC	1	SA
3-2	DB31-00578C	MOTOR FAN	FMC6531SSJ,65[W],DC310V,MAX IC 85℃,CLASS E	1	SA
3-3	DB60-00406A	FASTENER-NUT FLANGE	SWRCH10A	1	SA
3-4	DB60-00462A	FASTENER-NUT WASHER	ZPC	3	SA
4	DB96-15062B	ASSY EVAP PARTS	AJN035NDEHA,FJM MINI 4WAY	1	SNA
4-1	DB61-05322A	HOLDER-EVAP	GLOBAL-MINI-4WAY,STS430,T0.6,13,210.6,SSEC	1	SA
4-2	DB96-17552D	ASSY EVAP-UNIT	AJN035NDEHA/EU,MINI 4WAY	1	SNA
4-2-1	DB96-17553D	ASSY EVAP	AJN035NDEHA/EU,FJM MINI 4WAY	1	SA
4-2-1-1	DB96-17385A	ASSY-TUBE DISTRIBUTOR IN	GLOBAL-MINI 4WAY,SSEC	1	SNA
4-2-1-1-1	DB60-30010A	FASTENER-NUT FLARE	BRASS	1	SA
4-2-1-2	DB96-17387B	ASSY-TUBE COLLECTOR OUT	AJN035NDEHA/EU,FJM MINI 4WAY	1	SNA
4-2-1-2-1	DB60-30010B	FASTENER-NUT FLARE	BRASS	1	SA
4-2-2	DB62-11312A	SEAL-PIPE	PE FOAM,GRAY,10,80	2	SNA
4-2-3	DB62-11312B	SEAL-PIPE OUT	GLOBAL-MINI-4WAY,FOAM,GRAY	1	SNA
4-3	DB81-00635A	SPRING ETC-SENSOR	DVM-SYSTEM,STS304,R2.5,R4.5,44,0.3,2.0,NONE	2	SA
5	DB90-06363A	ASSY CABI IN PARTS	ACN052NDEHA,MINI 4WAY	1	SNA
5-1	DB90-11486A	ASSY CABI BODY	AC035TNNDKG/SA,assy	1	SA
5-1-1	DB69-02809A	CABINET-CUSHION	GLOBAL-MINI-4WAY,EPS,-,561.7,-,-,-,SSEC	1	SNA
5-1-2	DB61-05326A	PLATE-HANGER	GLOBAL-MINI-4WAY,GI-SGCC,1.6,50,207.5,SSEC	4	SA
5-1-3	DB61-05317A	CASE-CABI IN	GLOBAL-MINI-4WAY,PP,2,570.8,570.8,NTR,SSEC	1	SNA
5-1-4	DB90-07260B	ASSY BRACKET MOTOR	AC035TNNDKG/SA,ASSY	1	SA
5-2	DB90-07024A	ASSY COVER-PIPE	GLOBAL-MINI 4WAY,SSEC	1	SA
6	DB97-17106A	ASSY ACCESSORY IN PARTS	HP,INV,2.6~7.1kw,ACN052NDEHA/EU,Mini 4way	1	SNA
6-1	DB97-31261D	ASSY ACCESSORY-HOSE	AC018HB4DED/ID,SSEC,	1	SA
6-1-1	DB94-06964B	ASSY DRAIN HOSE	L160,Y,PVC	1	SNA