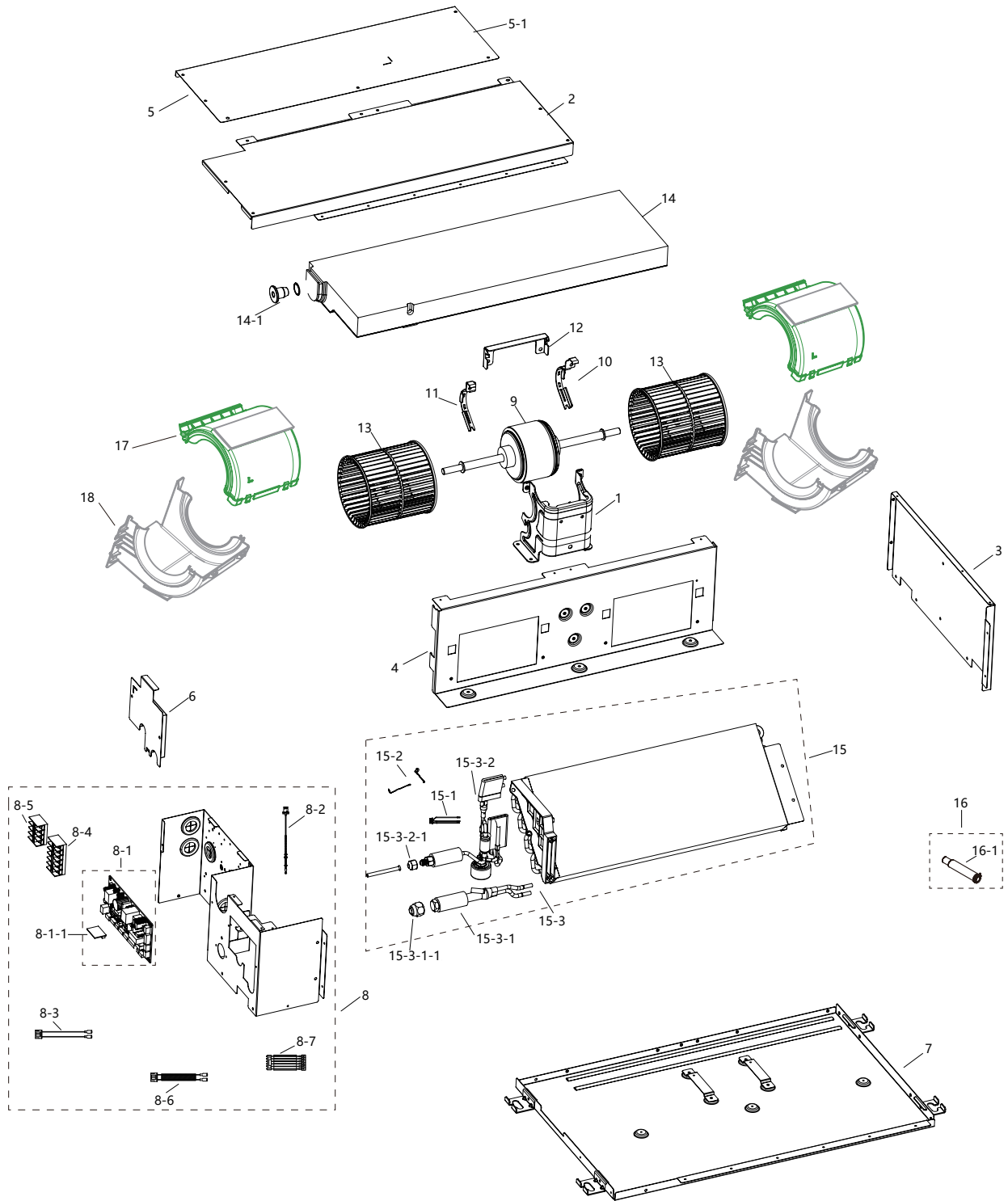


■ AJ026TNLDEG/EU



Model : AJ026TNLDEG/EU

No.	Parts Code	Parts Description	Specification	Q'ty	SA/SNA
1	DB61-06041A	BRACKET MOTOR	GI-SGCC, T2.0,-	1	SA
2	DB64-03233A	CABINET TOP	GI-SGCC, T0.7	1	SA
3	DB64-03235A	CABINET SIDE-LF	DVM, GI-SGCC, T0.8	1	SA
4	DB67-01550A	PARTITION	GI-SGCC, T1.0	1	SA
5	DB90-06930B	ASSY CABI TOP	AVXDSH022EHXIA, etc, SSEC S	1	SA
5-1	DB64-02790A	CABINET-TOP MOTOR	SLIM DUCT 0, GI-SGCC, 0.	1	SA
5-2	DB90-11141A	ASSY CABI TOP-UP	DVM	1	SA
6	DB90-09667A	ASSY COVER PLATE-PIPE	DVM	1	SA
7	DB90-09668A	ASSY CABI BASE	DVM	1	SA
8	DB93-17220A	ASSY CONTROL IN PARTS	AJ026TNLDEG/EU, ASS	1	SNA
8-1	DB92-03213D	ASSY PCB MAIN-IN	INDOOR, FJM NASA, 190*90,	1	SA
8-1-1	DB92-02793A	ASSY FUNCTION	COMM, DVM NASA_CST, Y	1	SA
8-1-2	DB92-04020A	ASSY PCB SUB	SUB, 20*25, Indoor EEPROM, Yes	1	SA
8-2	DB95-05009D	ASSY THERMISTOR	10Kohm±3%, 103HW, 7P, 350, UL	1	SA
8-3	DB39-01108A	CONNECT WIRE-VENTILATOR&WATER	2, R	1	SA
8-4	DB65-00179F	TERMINAL BLOCK	DVM FRESH DUCT, PBT+G30%, 3	1	SA
8-5	DB37-00033C	TERMINAL BLOCK	DAF-4P-M, MELAMINE, 300V, 25	1	SA
8-6	DB93-09990B	ASSY CONNECTOR WIRE-POWER	2, 1015, 18, BRN,	1	SA
8-7	DB93-14029A	ASSY CONNECTOR WIRE-DC SIGNAL	6100722	1	SA
9	DB31-00670A	MOTOR BLDC FAN	SLIM DUCT HOME, 1200, 310V,	1	SA
10	DB61-05983A	HOLDER-MOTOR	GLOBAL DUCT, GI-SGCC, L155,-,	1	SA
11	DB61-05984A	HOLDER-MOTOR	GLOBAL DUCT, GI-SGCC, L155,-,	1	SA
12	DB61-06266A	BRACKET BARRIER-MOTOR	GI-SGCC, T1.6	1	SA
13	DB67-01554A	BLOWER	ABS, AM018KNLSEH	2	SA
14	DB94-06392A	ASSY TRAY DRAIN	DVM	1	SA
14-1	DB67-01199A	CAP DRAIN-RUBBER	SLIM DUCT1/2/3, EPDM, 30,	1	SA
15	DB96-22831B	ASSY EVAP-UNIT	AJ026TNLDEG/EU	1	SA
15-1	DB32-00200C	SENSOR TEMP	103HW, EVA	1	SA
15-2	DB81-00635A	SPRING ETC-SENSOR	DVM-SYSTEM, STS304, R2.5	2	SA
15-3	DB96-25028A	ASSY EVAP-TOTAL	AJ026TNLDEG/EU	1	SNA
15-3-1	DB96-22816B	ASSY TUBE EVAP-OUT	AJ026TNLDEG/EU, FJM DU	1	SA
15-3-1-1	DB60-30010B	FASTENER-NUT FLARE	AR12RV3HEWKXNA, BRASS	1	SA
15-3-2	DB96-22820C	ASSY TUBE EVAP-IN	AJ026TNLDEG/EU, FJM DUC	1	SA
15-3-2-1	DB60-30010A	FASTENER-NUT FLARE	BRASS	1	SA
15-3-2	DB95-05011A	ASSY THERMISTOR IN-EVA IN OUT	SMH200-06H	1	SA
16	DB97-04340E	ASSY ACCESSORY IN PARTS	AVXDSH022EE	1	SNA
16-1	DB94-06964B	ASSY DRAIN HOSE	L160, Y, PVC	1	SNA
17	DB90-09694A	ASSY CASE FAN-UP	DVM	2	SA
18	DB90-09731A	ASSY CASE FAN-BOTTOM	DVM	2	SA