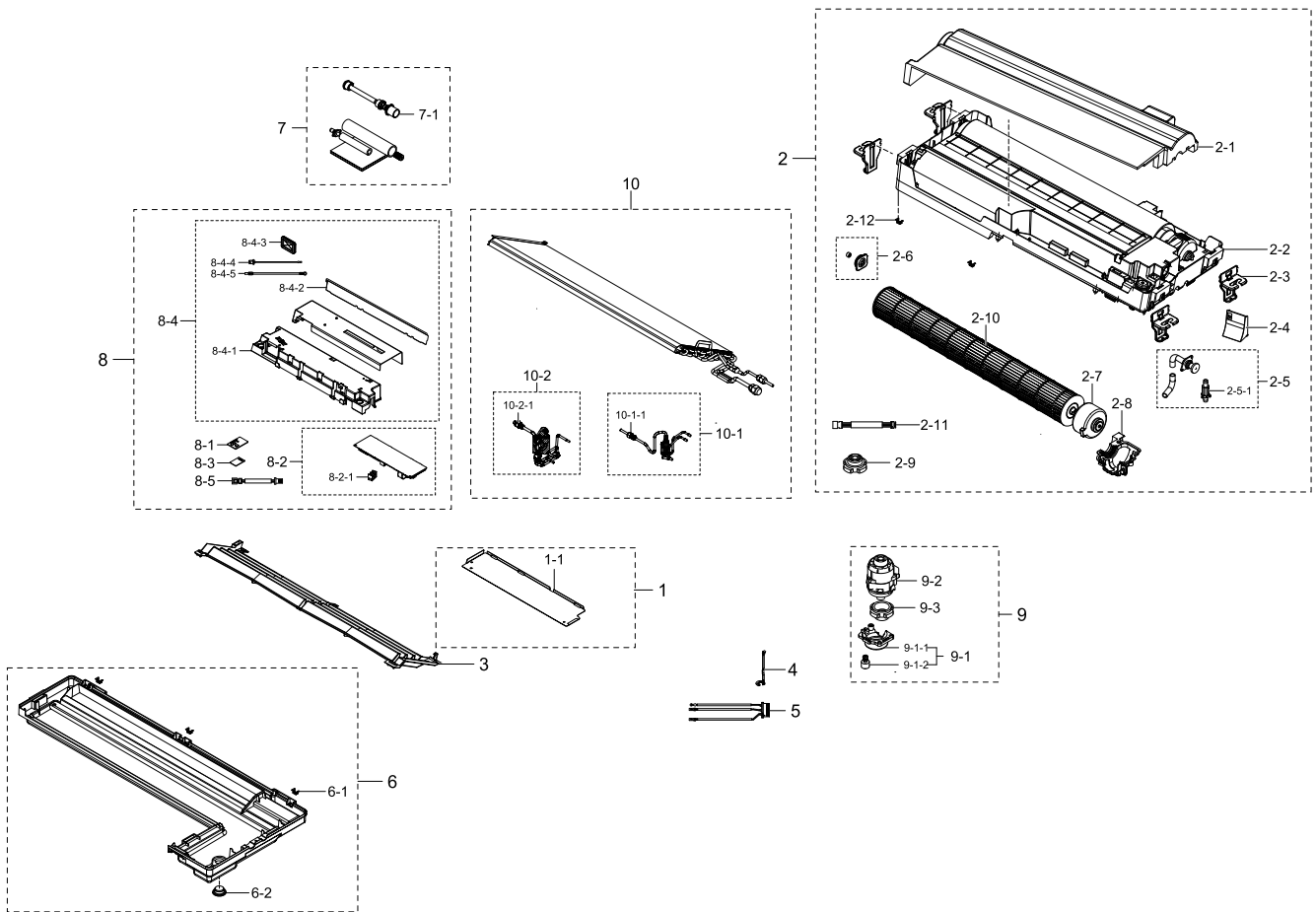


1. AJ026TN1DKG/EU

Exploded View



Parts List

No.	Lvl.	Loc.	Material Code	Description & Specification	SNA	Qty.
1	2	A2635	DB90-10905A	ASSY COVER CONTROL; AJ040MB1PBC1	SA	1
1-1	3	P0348	DB70-00754A	PLATE-COVER CONTROL; AIXCSH040B1,GI-SGCC,	SA	1
2	2	A0071	DB94-05820F	ASSY BACK BODY; AJ040MB1PBC1	SA	1
2-1	3	A3096	DB64-01764A	CUSHION-CABINET; AIXCSH040B1,EPS,W310,L83	SNA	1
2-2	3		DB64-01763B	CABINET-IN; AIXCSH040B1,ABS,T2.5,-,-,-,-,	SA	1
2-3	3	P0229	DB61-03836A	PLATE-HANGER; -,GI-SGCC,T1.2,-,-,-,-,-,-,	SA	4
2-4	3		DB61-05077B	CASE-SPI NONE; DVM,HIPS,T2,L76.5,INNER BL	SA	1
2-5	3	A0948	DB94-01546A	ASSY-DRAIN SOCKET; R410a,AVXCSH040B2,SLIM	SA	1
2-5-1	4	V0020	DB62-04236A	VALVE CHECK; PPO,BLACK,1-1,8	SA	1
2-6	3	A0118	DB94-00258A	ASSY BEARING; G-PJT,CR,BLK	SA	1
2-7	3		DB31-00636G	MOTOR BLDC FAN; DB31-00636G,1500rpm,310V,	SA	1
2-8	3	C1440	DB63-01698A	COVER MOTOR; AIXCSH040B1,ABS,T2,-,-,-,-,-	SA	1
2-9	3	R0184	DB73-00522A	RUBBER-BASE PUMP; NBR,H20.5,BLACK,35	SA	1
2-10	3	A0821	DB94-00040Y	ASSY FAN CROSS; AIXCSH040B1,SLIM 1WAY CST	SA	1

Exploded Views and Parts List

No.	Lvl.	Loc.	Material Code	Description & Specification	SNA	Qty.
2-11	3	A0626	DB93-08418A	ASSY CONNECTOR WIRE; 4,2095,26,BLK,SMH250	SA	1
2-12	3		DB61-03127A	BRACKET-PAN; -,GI-SGCC,T1,-,-,-,-,-,-,-,-	SA	2
3	2		DB94-01492C	ASSY DRAIN PAN-SUB; NJ0401VXN1,JSF PJT	SA	1
4	2	S0242	DB81-00635A	SPRING ETC-SENSOR; DVM-SYSTEM,STS304,R2.5	SA	2
5	2		DB95-05011C	ASSY THERMISTOR IN; 103AT,AC,200,10	SA	1
6	2	A2303	DB94-07211A	ASSY TRAY DRAIN; JSF1	SA	1
6-1	3		DB61-03127A	BRACKET-PAN; -,GI-SGCC,T1,-,-,-,-,-,-,-,-	SA	4
6-2	3		DB73-00133B	RUBBER-CAP DRAIN SOCKET; EPDM	SA	1
7	2	A0916	DB94-01904B	ASSY DRAIN-HOSE INSTALL; -,-,-,-,-,-,-,AVXC	SA	1
7-1	3	A3028	DB94-01258C	ASSY HOSE DRAIN-JOINT; -,-,280,N,R22,-,AF	SA	1
8	2		DB92-04919A	ASSY KIT-IN; INDOOR,FJM NASA,1WAY CST,Sta	SNA	1
8-1	3		DB92-02793A	ASSY FUNCTION; COMM,DVM NASA_CST,Y	SA	1
8-2	3	A1767	DB92-03105L	ASSY PCB MAIN-IN; INDOOR,FJM NASA,260*70,	SA	1
8-2-1	4		DB37-00026A	TERMINAL BLOCK; DAPC 3013-2P-M,MELAMINE,3	SA	1
8-3	3	A0694	DB92-04020A	ASSY PCB SUB; SUB,20*25,Indoor EEPROM,Yes	SA	1
8-4	3	A0696	DB93-13968C	ASSY CONTROL IN; AJ040MB1PBC1	SNA	1
8-4-1	4		DB61-05696A	CASE CONTROL-IN; AM036FN1DEH/EU,MPPE,T2.5	SA	1
8-4-2	4		DB61-05699A	PLATE-CASE SUB; ADN0401DBHB1,EGI-SECC,T0.	SA	1
8-4-3	4		DB73-00307B	RUBBER-WIRE HOLE; ADX100VAGHA/SC,RUBBER,5	SA	1
8-4-4	4	A2554	DB95-05009B	ASSY THERMISTOR; 103AT,AC,250,10	SA	1
8-4-5	4	A0646	DB93-11254A	ASSY CONNECTOR WIRE-EARTH; 1,1015,18,YEL/	SA	1
8-5	3		DB93-14037A	ASSY CONNECTOR WIRE-DC SIGNAL; 10,2095,26	SA	1
9	2		DB94-04697A	ASSY DRAIN PUMP; AM020FN1DBH1	SNA	1
9-1	3		DB90-03144B	ASSY COVER-PUMP; AM036FN1DEH/EU,NASA DVM	SA	1
9-1-1	4	C1564	DB63-01699A	COVER-PUMP; AIXCSH040B1,ABS,T2,-,-,-,-,-,-	SA	1
9-1-2	4	A2012	DB95-01359D	SWITCH FLOAT; 43±0.5mm,8.5,250mm,SMH250-	SA	1
9-2	3		DB67-01166B	PUMP DRAIN; 400cc/min,-,1200mm,UL224,L550	SA	1
9-3	3		DB73-00391D	RUBBER-CAP PUMP; AIXCSC032B1,EPDM,40,GRAY	SA	1
10	2	A2773	DB96-08129C	ASSY EVAP TOTAL; MH026FSEA,-	SA	1
10-1	3		DB96-10927A	ASSY TUBE EVAP OUT; MH026FSEA,FJM INDOOR	SNA	1
10-1-1	4	N0027	DB60-30010B	FASTENER-NUT FLARE; AR12RV3HEWKXNA,BRASS	SA	1
10-2	3	A2355	DB96-10923A	ASSY TUBE EVAP IN; MH026FSEA,FJM INDDOR U	SNA	1
10-2-1	4	N0027	DB60-30010A	FASTENER-NUT FLARE; BRASS	SA	1